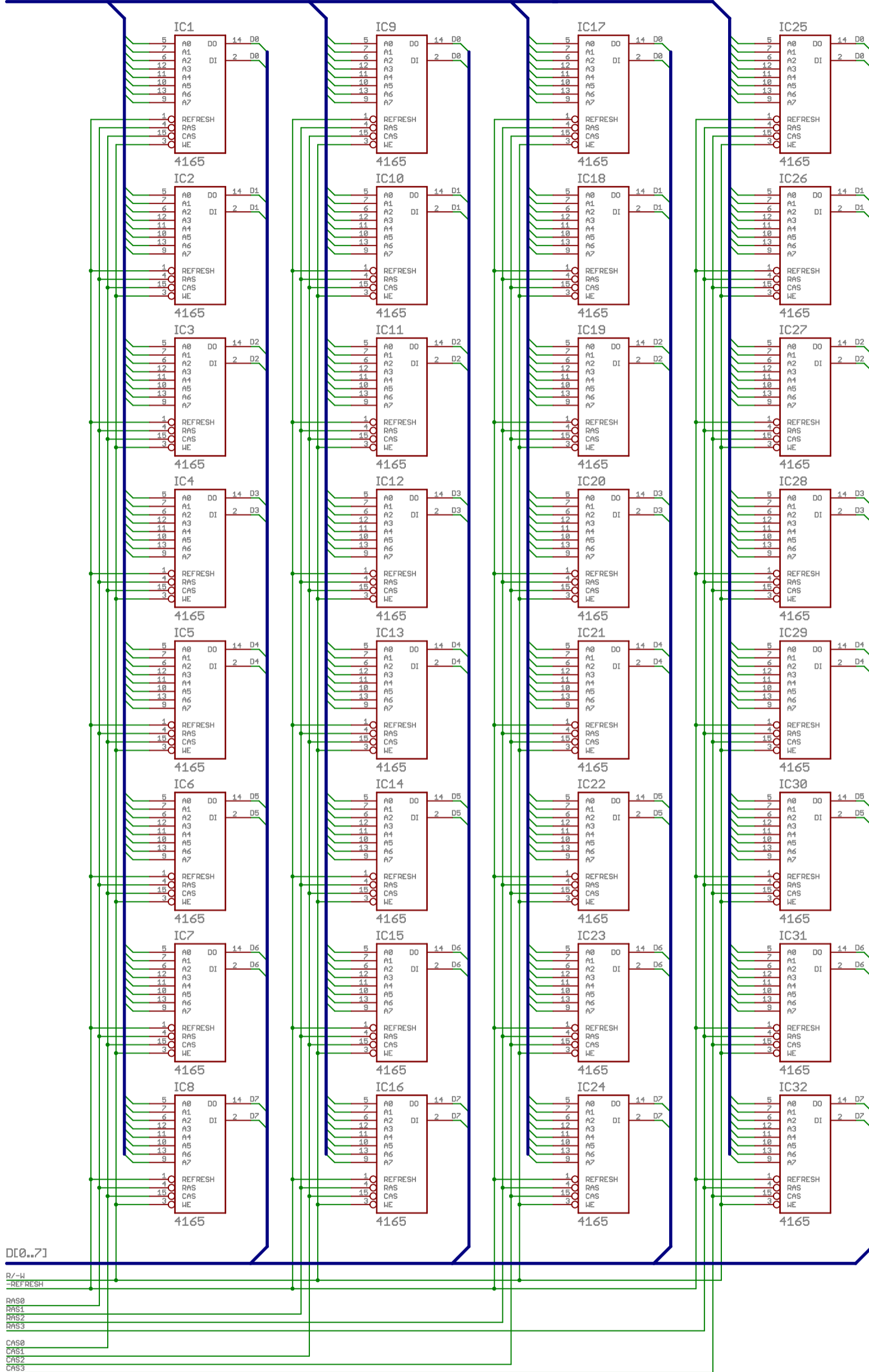
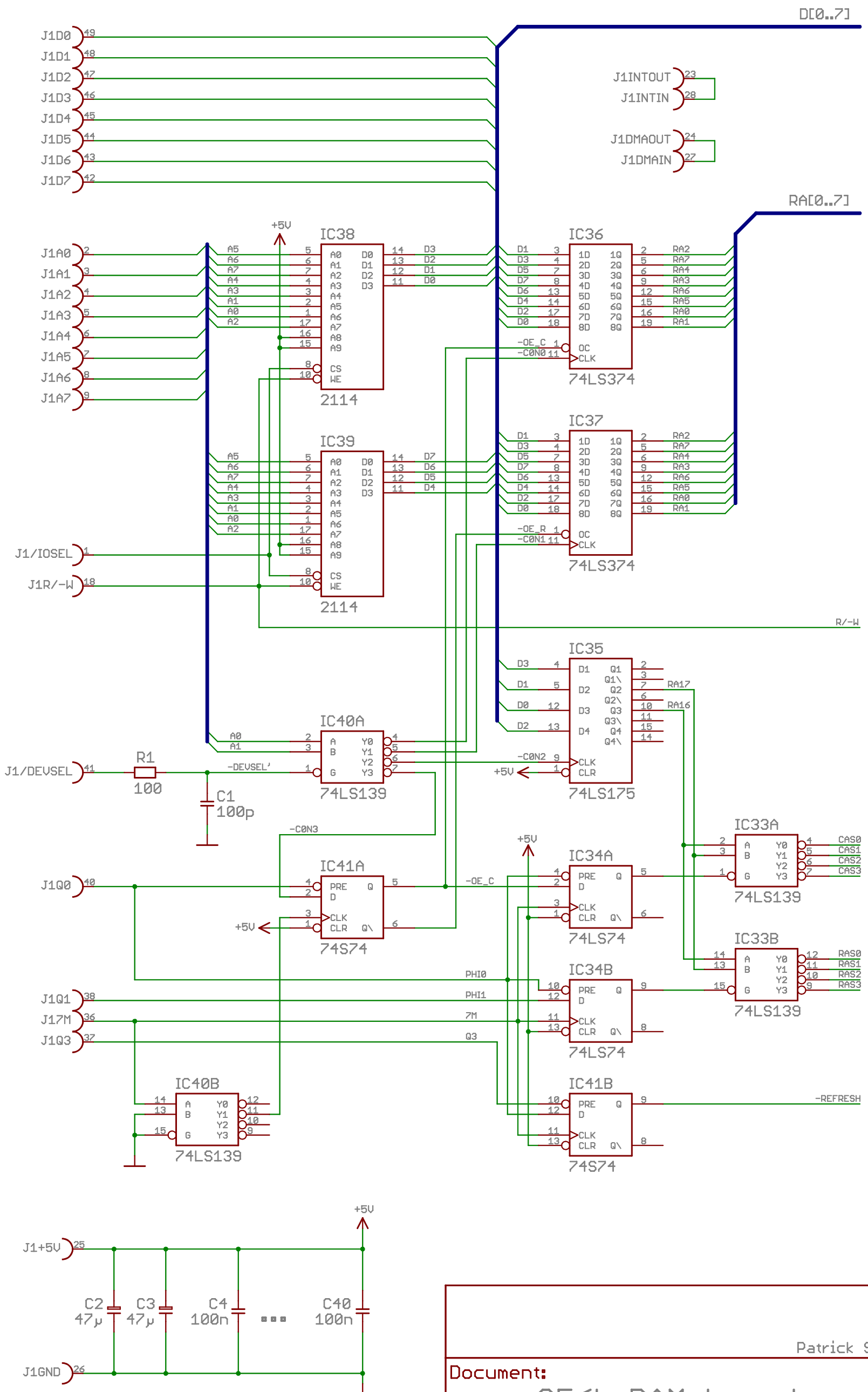


RA[0..7]



C0(n+8)0: A0..7  
 C0(n+8)1: A8..15  
 C0(n+8)2: A16..17 (Bank Select)  
 C0(n+8)3: Data  
 (n = slot number)



Patrick Schäfer

Document:

256k RAM board

REV:

A

Date: 07.12.2002 16:17:20

Sheet: 2/2