

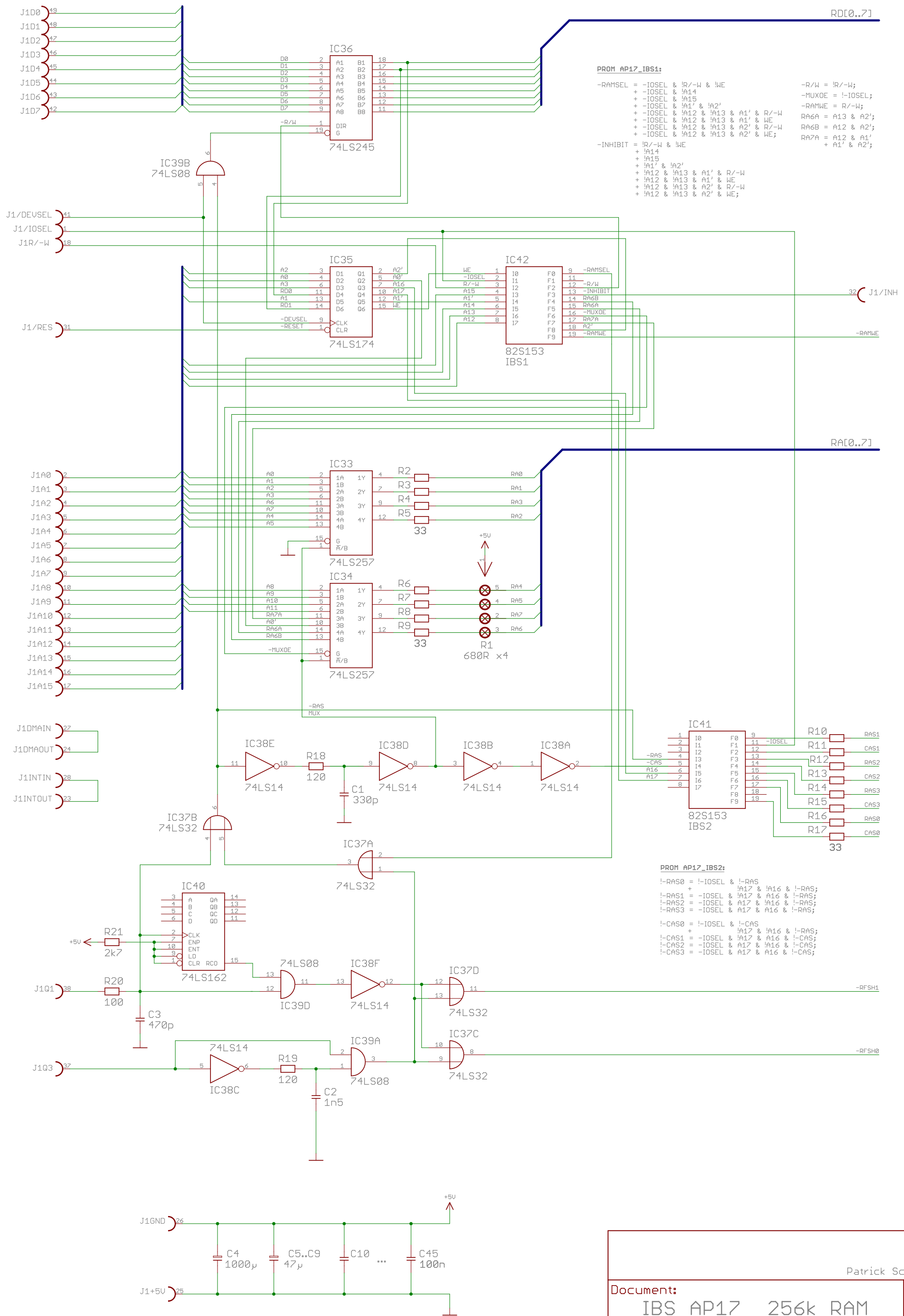
write to	to select	into
C0(n+8)0	Card off	
C0(n+8)1	Card off	
C0(n+8)2	Bank 0 Block 0	\$Exxx
	Bank 0 Block 4	\$Dxxx + \$Fxxx
C0(n+8)3	Bank 0 Block 8	\$Exxx
	Bank 0 Block C	\$Dxxx + \$Fxxx
C0(n+8)4	Bank 0 Block 1	\$Dxxx
	Bank 0 Block 2	\$Exxx
	Bank 0 Block 3	\$Fxxx
C0(n+8)5	Bank 0 Block 9	\$Dxxx
	Bank 0 Block A	\$Exxx
	Bank 0 Block B	\$Fxxx
C0(n+8)6	Bank 0 Block 5	\$Dxxx
	Bank 0 Block 6	\$Exxx
	Bank 0 Block 7	\$Fxxx
C0(n+8)7	Bank 0 Block D	\$Dxxx
	Bank 0 Block E	\$Exxx
	Bank 0 Block F	\$Fxxx

write to	to select	into
C0(n+8)8	Card off	
C0(n+8)9	Card off	
C0(n+8)a	Bank 1 Block 0	\$Exxx
	Bank 1 Block 4	\$Dxxx + \$Fxxx
C0(n+8)b	Bank 1 Block 8	\$Exxx
	Bank 1 Block C	\$Dxxx + \$Fxxx
C0(n+8)c	Bank 1 Block 1	\$Dxxx
	Bank 1 Block 2	\$Exxx
	Bank 1 Block 3	\$Fxxx
C0(n+8)d	Bank 1 Block 9	\$Dxxx
	Bank 1 Block A	\$Exxx
	Bank 1 Block B	\$Fxxx
C0(n+8)e	Bank 1 Block 5	\$Dxxx
	Bank 1 Block 6	\$Exxx
	Bank 1 Block 7	\$Fxxx
C0(n+8)f	Bank 1 Block D	\$Dxxx
	Bank 1 Block E	\$Exxx
	Bank 1 Block F	\$Fxxx

set bit0 = 1 to select Bank 2/3 instead of Bank 0/1
 set bit1 = 0 to write protect card
 bit2 ... bit7 are not used
 Reading the control registers is not allowed.
 The upper 256 bytes from Bank 0 Block F map into \$Cnxx space.

Document:		IBS AP17 256k RAM		REV:	B
Date: nicht gespeichert!			Sheet: 1/2		

Patrick Schäfer



```

PROM AP17_IBS1:
-RAMSEL = !IOSEL & !R/-W & !WE
+ !IOSEL & !A14
+ !IOSEL & !A15
+ !IOSEL & !A1' & !A2'
+ !IOSEL & !A12 & !A13 & A1' & R/-W
+ !IOSEL & !A12 & !A13 & A1' & WE
+ !IOSEL & !A12 & !A13 & A2' & R/-W
+ !IOSEL & !A12 & !A13 & A2' & WE;
-RAMWE = R/-W;
-MUXOE = !IOSEL;
-RAMWE = R/-W;
RA6A = A13 & A2';
RA6B = A12 & A2';
RA7A = A12 & A1'
+ A1' & A2';
-RAMWE = R/-W;
-MUXOE = !IOSEL;
+ !A14
+ !A15
+ !A1' & !A2'
+ !A12 & !A13 & A1' & R/-W
+ !A12 & !A13 & A1' & WE
+ !A12 & !A13 & A2' & R/-W
+ !A12 & !A13 & A2' & WE;

```

```

PROM AP17_IBS2:
!-RAS0 = !IOSEL & !-RAS
+ !A17 & !A16 & !-RAS;
!-RAS1 = !IOSEL & !A17 & A16 & !-RAS;
!-RAS2 = !IOSEL & A17 & !A16 & !-RAS;
!-RAS3 = !IOSEL & A17 & A16 & !-RAS;
!-CAS0 = !IOSEL & !-CAS
+ !A17 & !A16 & !-CAS;
!-CAS1 = !IOSEL & !A17 & A16 & !-CAS;
!-CAS2 = !IOSEL & A17 & !A16 & !-CAS;
!-CAS3 = !IOSEL & A17 & A16 & !-CAS;

```