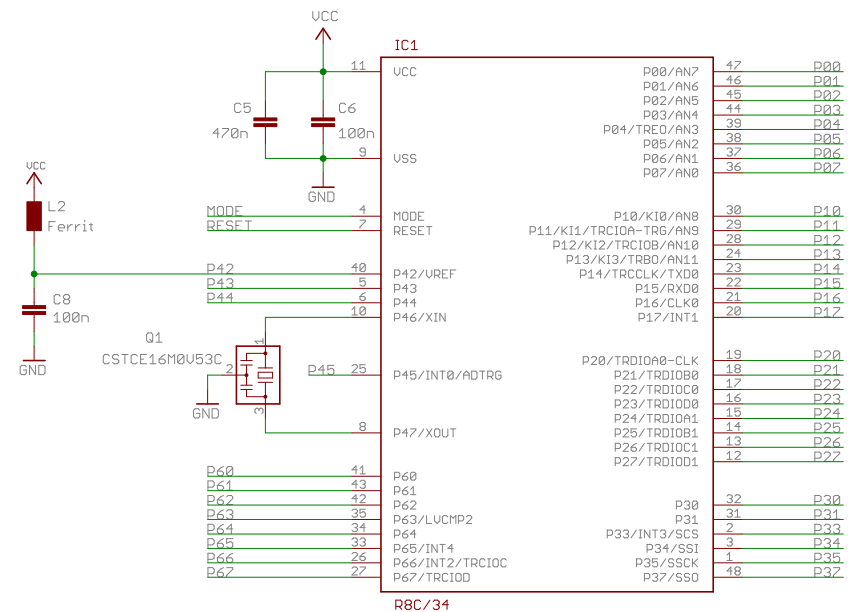
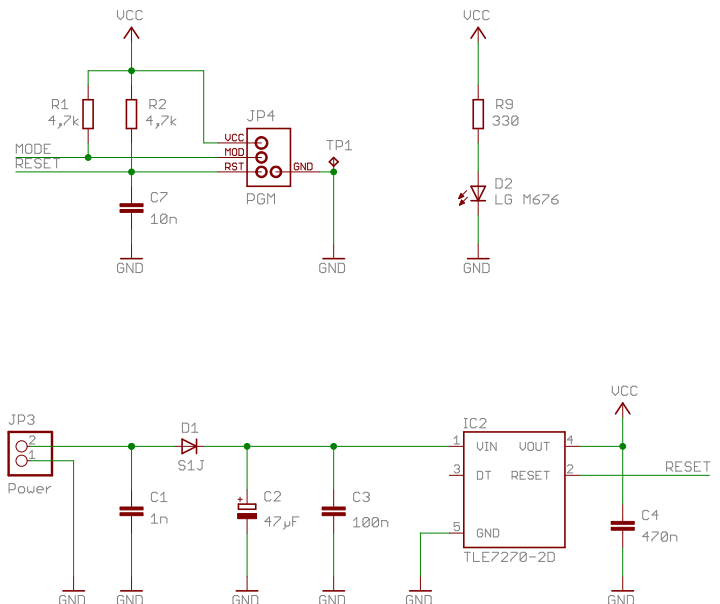


fit L1 only for host-powered operation



R8C/34



fit these parts only for 12V operation

